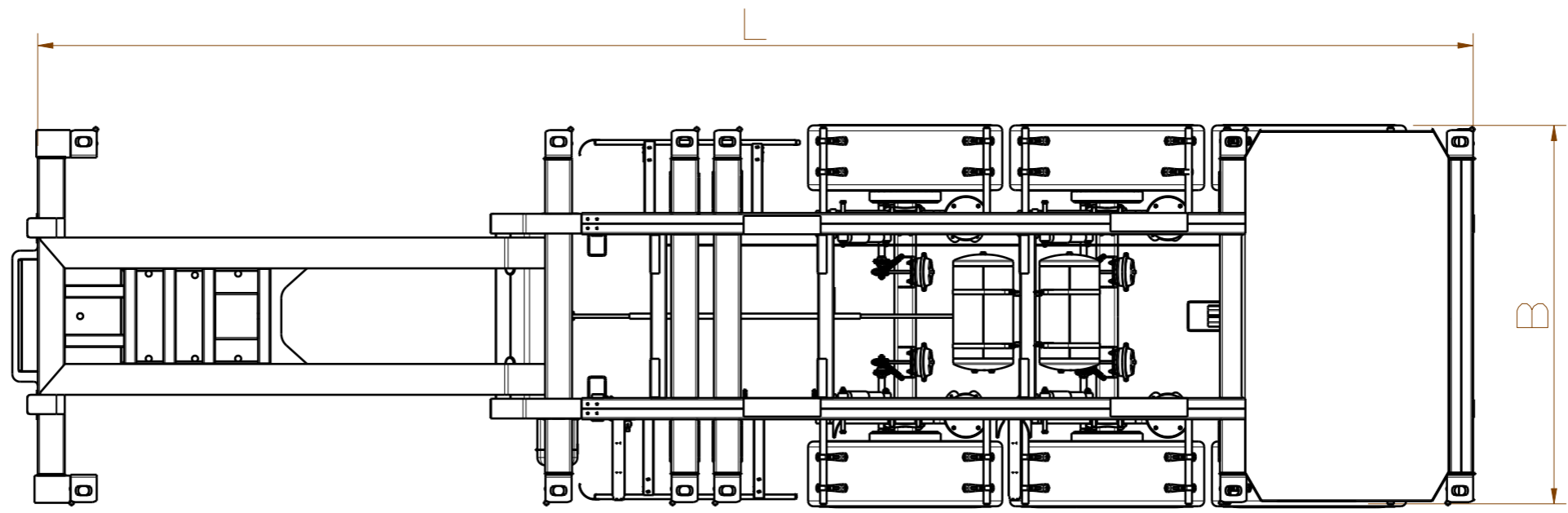


H G F E D C B A

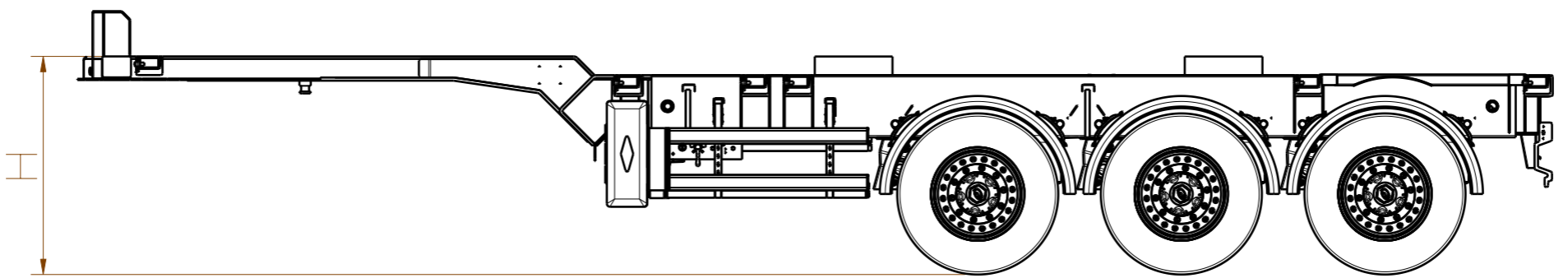
4

4



3

3



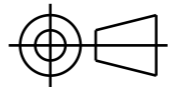
2

2

1

1

UCUNU ACI METODU THIRD ANGLE METHOD



ÖLÇÜLER mm DİR DIMENSIONS IN mm

DRAWING NAME

DRAWN BY
O.FIRTANA

DATE
17.05.2018

UZAMALI KONTEYNER GOOSENECK

DESIGNED BY
O.FIRTANA

DATE

MATERIAL
St52-3

DRAWING NUMBER
CT07-9300-001

CHECKED BY
B.VURAL

DATE

SCALE (1:40)

WEIGHT(kg) 2.685,15

SIZE
A3

SHEET 1/1

H G B A