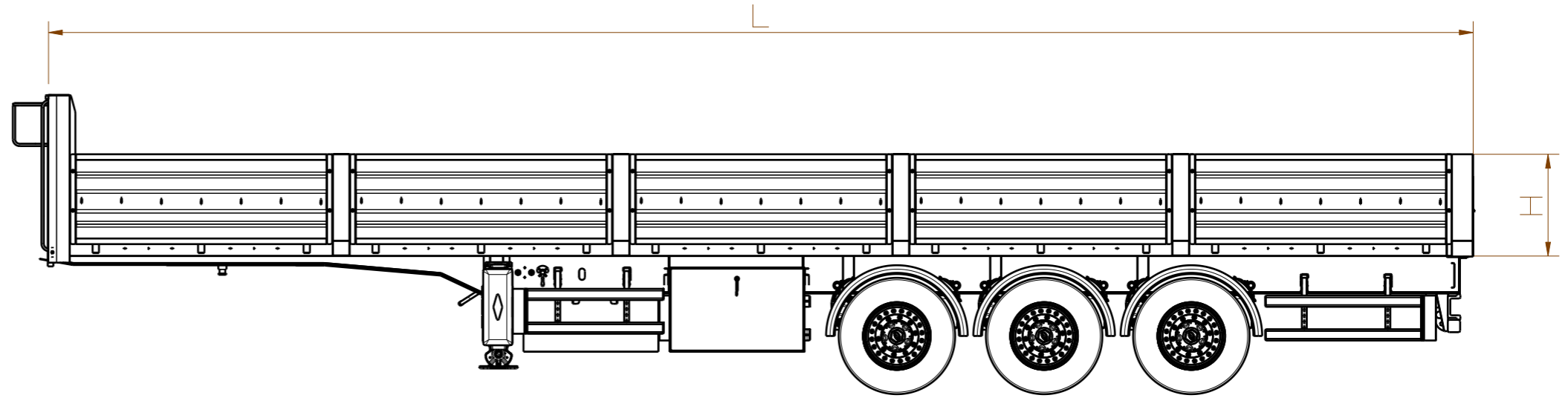
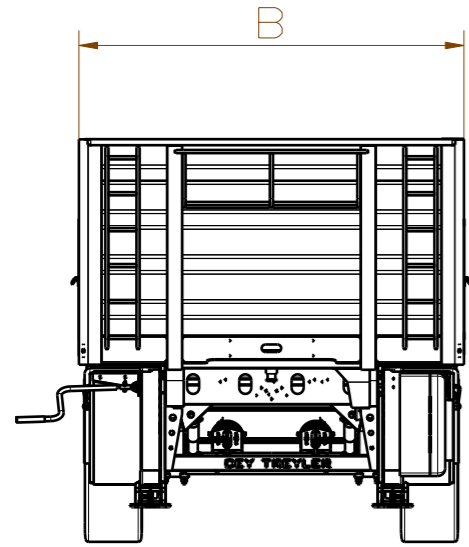


DRAWN BY	DATE	REV	REL. NO	DESCRIPTION	AREA
				YAYINLANDI	



GENERAL TOLERANCE FOR MACHINING	RANGE	OVER 0,5 TO 3	OVER 3 TO 30	OVER 6 TO 30	OVER 30 TO 120	OVER 120 TO 315	OVER 315 TO 1000	OVER 1000 TO 2000	OVER 2000 TO 4000	OVER 4000 TO 8000
TOLERANCE		± 0,15	± 0,2	± 0,5	± 0,8	± 1,2	± 2	± 3	± 4	± 5

GENERAL TOLERANCE SHALL CONFORM TO

UCUNU ACI METODU THIRD ANGLE METHOD			
OLCULER mm DIR DIMENSIONS IN mm		DRAWING NAME	
DRAWN BY O.FIRTANA		DATE 16.05.2018	
DESIGNED BY O.FIRTANA		DRAWING NUMBER CT09-12600-13	
CHECKED BY B.VURAL		DATE	
SCALE (1:50)		WEIGHT(kg) 2.452,44	
		SIZE A3 SHEET 1/1	