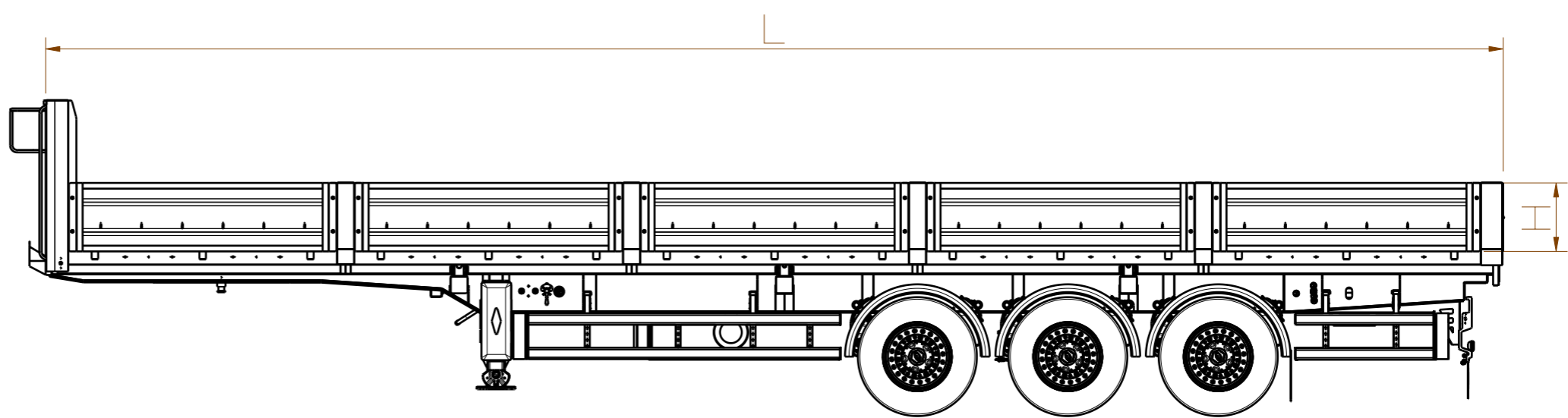
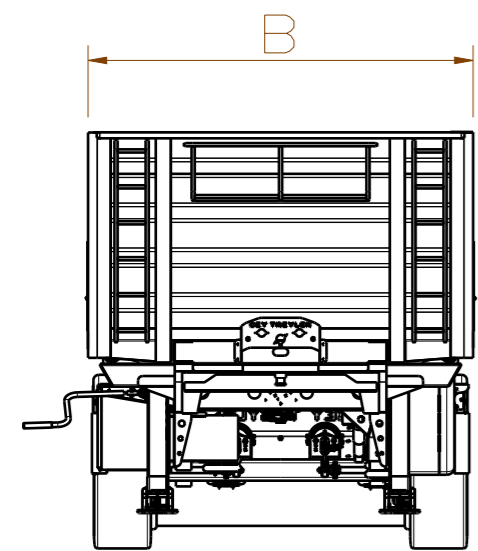
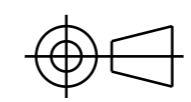


I G F E D O M A

DRAWN BY	DATE	REV	REL. NO	DESCRIPTION	AREA
				YAYINLANDI	



UCUNU ACI METODU THIRD ANGLE METHOD



OLCULER mm DİR DIMENSIONS IN mm



DRAWN BY O.FIRTANA	DATE 17.05.2018	DRAWING NAME YANA DEVİRME	
DESIGNED BY O.FIRTANA	DATE	MATERIAL	DRAWING NUMBER CT13-12600-04
CHECKED BY B.VURAL	DATE	SCALE (1:50)	WEIGHT(kg)

GENERAL TOLERANCE FOR MACHINING	RANGE	OVER 0.5 TO 3	OVER 3 TO 30	OVER 6 TO 30	OVER 30 TO 120	OVER 120 TO 315	OVER 315 TO 1000	OVER 1000 TO 2000	OVER 2000 TO 4000	OVER 4000 TO 8000
TOLERANCE		± 0.15	± 0.2	± 0.5	± 0.8	± 1.2	± 2	± 3	± 4	± 5

GENERAL TOLERANCE SHALL CONFORM TO .....

H G B A