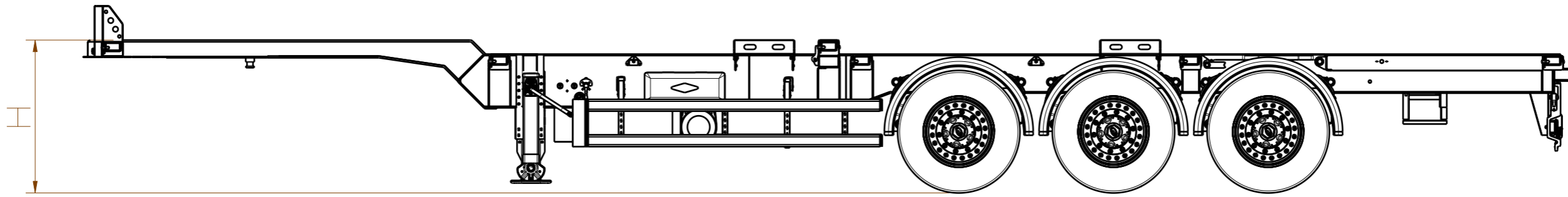
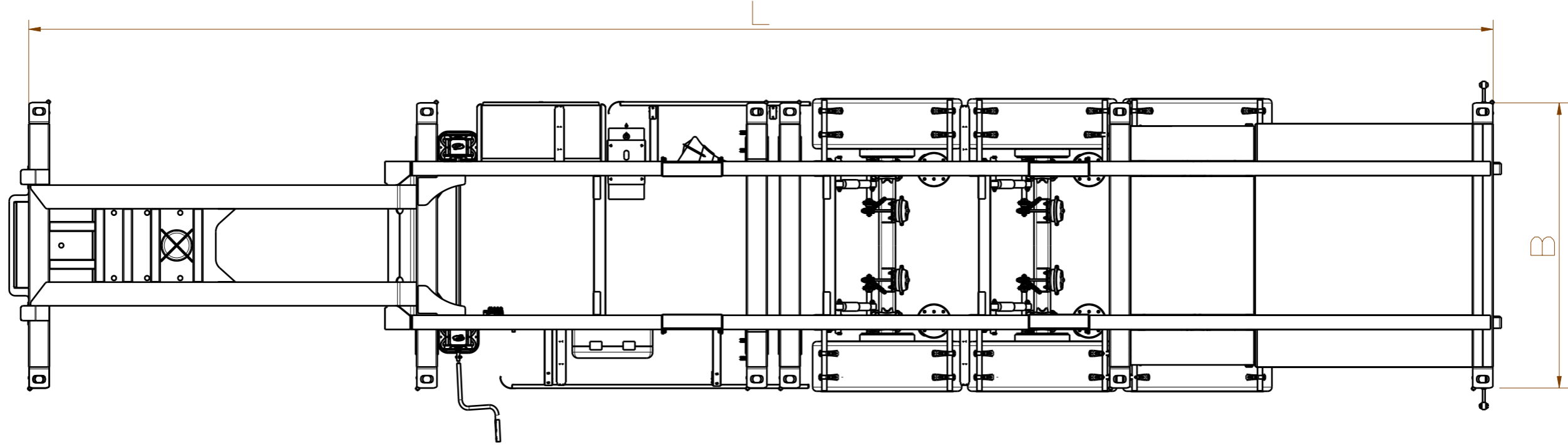
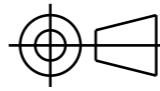


DRAWN BY	DATE	REV	REL. NO	DESCRIPTION	AREA
				YAYINLANDI	



GENERAL TOLERANCE FOR MACHINING	RANGE	OVER 0.5 TO 3	OVER 3 TO 30	OVER 6 TO 30	OVER 30 TO 120	OVER 120 TO 315	OVER 315 TO 1000	OVER 1000 TO 2000	OVER 2000 TO 4000	OVER 4000 TO 8000
TOLERANCE		± 0.15	± 0.2	± 0.5	± 0.8	± 1.2	± 2	± 3	± 4	± 5

GENERAL TOLERANCE SHALL CONFORM TO .....

UCUNU ACI METODU THIRD ANGLE METHOD		<b>CEY TREYLER</b>	
 OLCULER mm DIR DIMENSIONS IN mm			
DRAWING NAME		KONTEYNER TASIYICI Y.R. 40 ft	
DRAWN BY O.FIRTANA	DATE 17.05.2018	MATERIAL	DRAWING NUMBER CT07-12700-01
DESIGNED BY O.FIRTANA	DATE	SCALE (1:40)	
CHECKED BY B.VURAL	DATE	WEIGHT(kg)	SIZE A3 SHEET 1/1