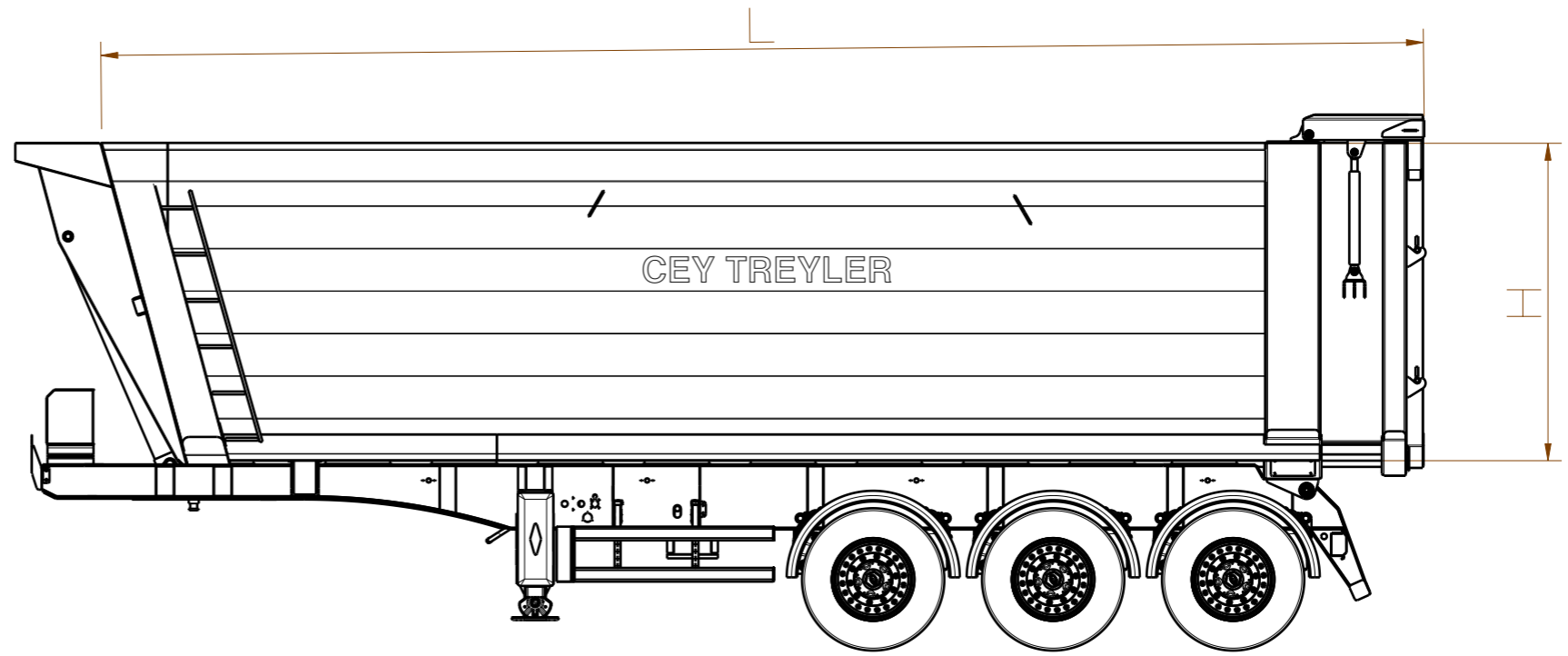
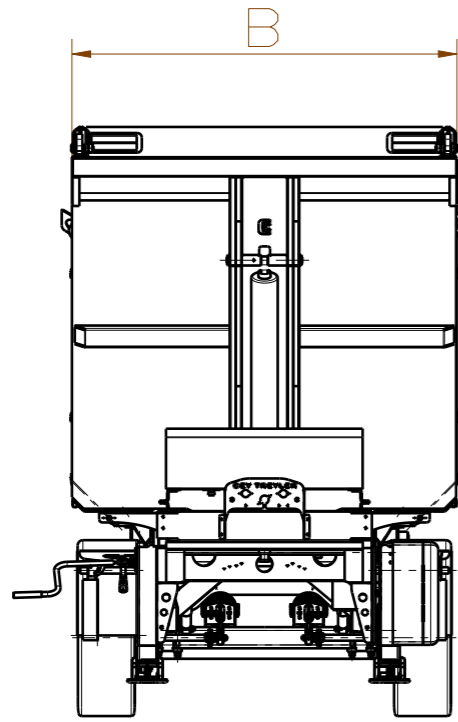
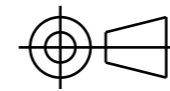


DRAWN BY	DATE	REV	REL. NO	DESCRIPTION	AREA
				YAYINLANDI	



UCUNCU ACI METODU THIRD ANGLE METHOD



ÖLÇÜLER mm DİR DIMENSIONS IN mm

CEY TREYLER

DRAWN BY
O.FIRTANA

DATE
16.05.2018

DRAWING NAME
HURDA DAMPER TREYLER 50 m3
YAN DUVAR KEMERSİZ

DESIGNED BY
O.FIRTANA

DATE

MATERIAL
DRAWING NUMBER
CT06-9200-02

CHECKED BY
B.VURAL

DATE

SCALE (1:50) WEIGHT(kg) SIZE A3 SHEET 1/1

GENERAL TOLERANCE FOR MACHINING	RANGE	OVER 0.5 TO 3	OVER 3 TO 30	OVER 6 TO 30	OVER 30 TO 120	OVER 120 TO 315	OVER 315 TO 1000	OVER 1000 TO 2000	OVER 2000 TO 4000	OVER 4000 TO 8000
	TOLERANCE	± 0.15	± 0.2	± 0.5	± 0.8	± 1.2	± 2	± 3	± 4	± 5

GENERAL TOLERANCE SHALL CONFORM TO